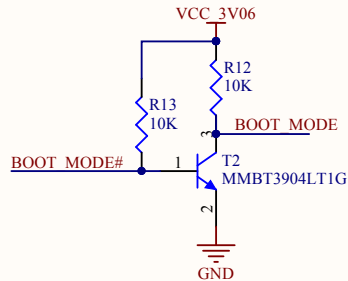
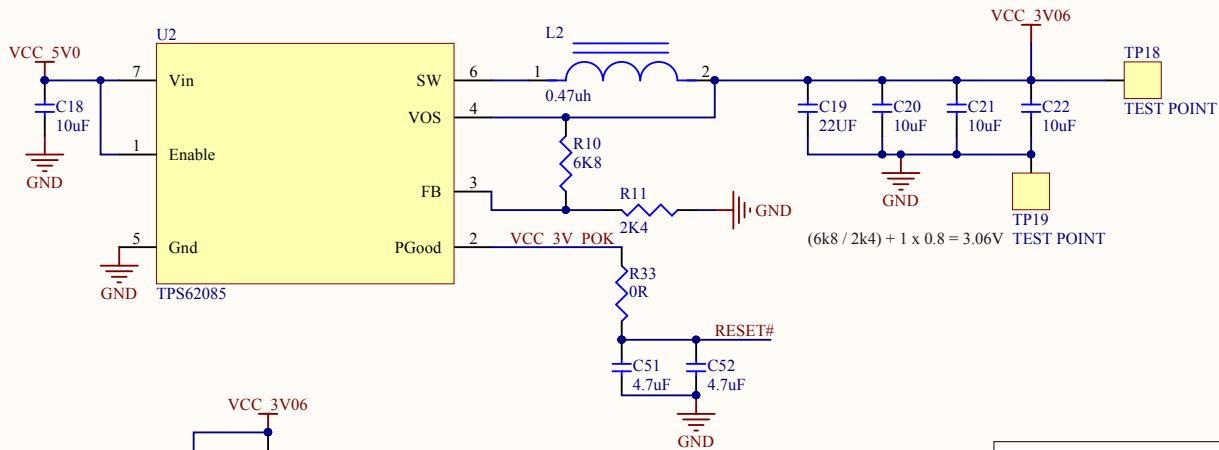
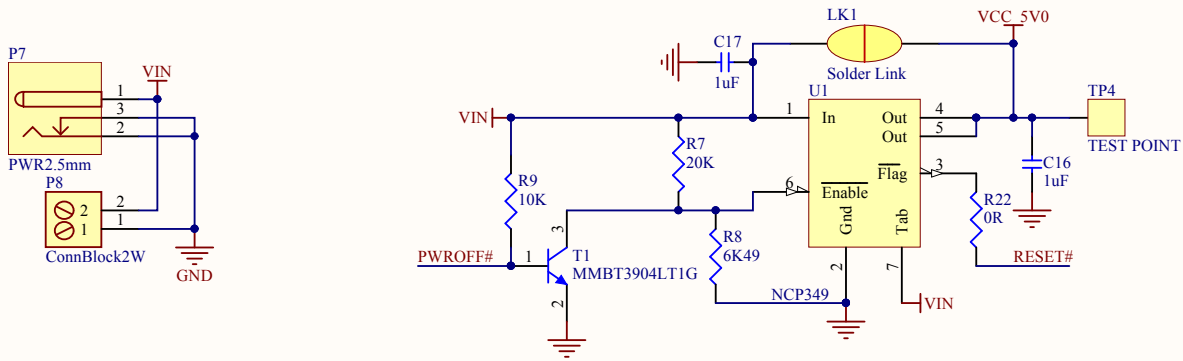



HB5 Reference Design For TM1



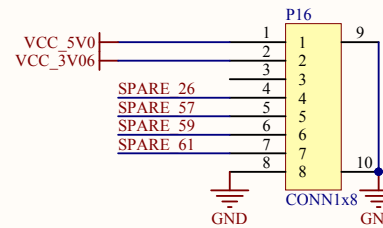
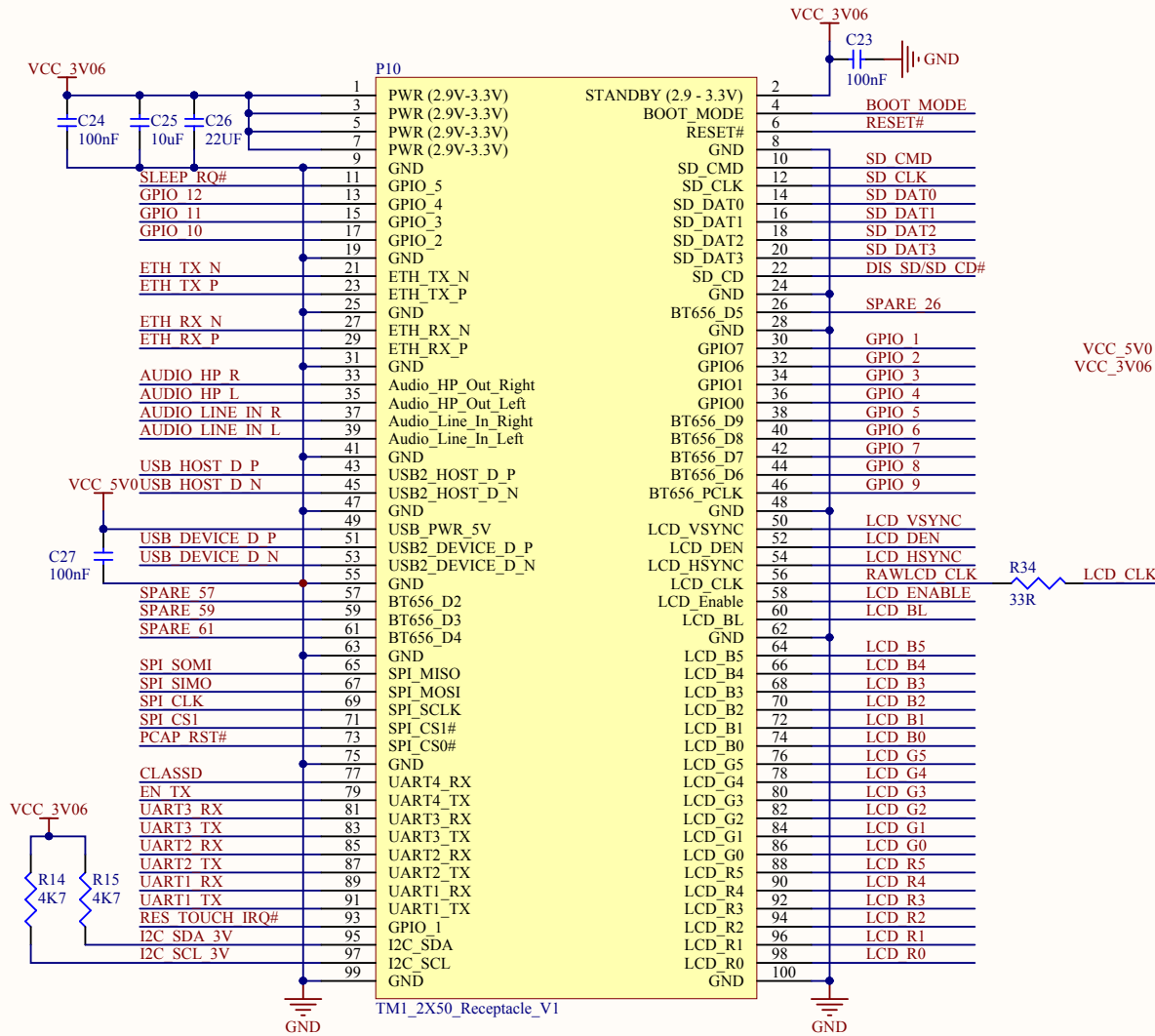
Blue Chip Technology


Title:		HB5.PrjPCB	
SheefTitle:	Title	Drawn by:	DR/TGH
Document No:	[No Variations]	Revision:	5
Date:	28/09/2016	Sheet:	1 of 5
File Name:	Title.SchDoc		
Copyright Blue Chip Technology Ltd 2015			

Blue Chip Technology

Title:		HB5.PrijPCB	
SheetTitle:	Power	Drawn by:	DR/TGH
Document No:	[No Variations]	Revision:	1
Date:	28/09/2016	Sheet:	2 of 5
File Name:	Power.SchDoc	Copyright Blue Chip Technology Ltd 2015	

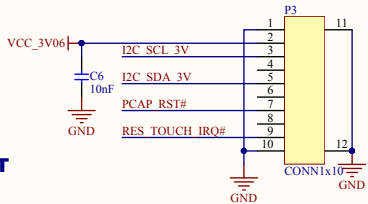
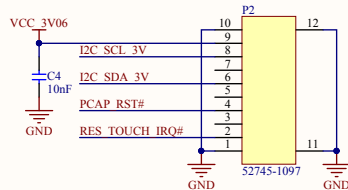
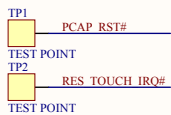




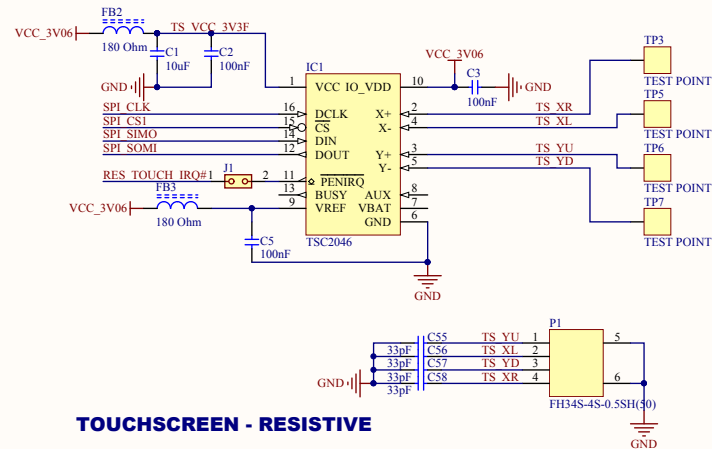
Blue Chip Technology

Title: HB5.PrijPCB	
SheetTitle: CPU Interconnect	Drawn by: DR/TGH
Document No: [No Variations]	Revision: 1
Date: 28/09/2016	Sheet: 3 of 5
File Name: TMI.SchDoc	
Copyright Blue Chip Technology Ltd 2015	

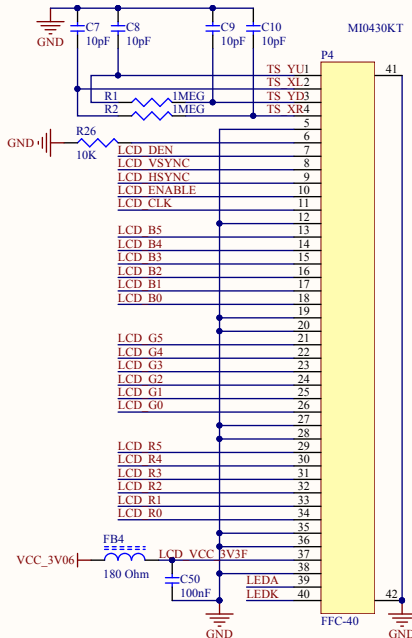
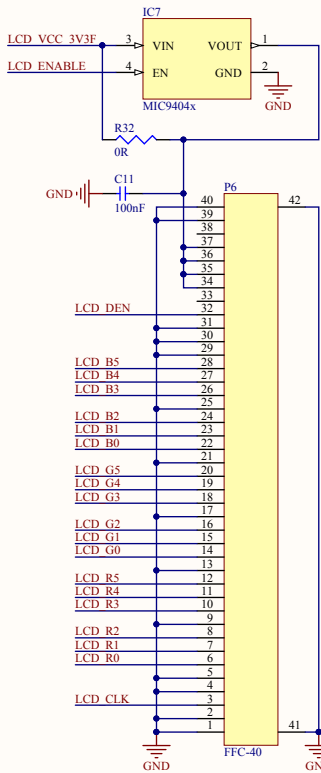
TOUCHSCREEN - PCT



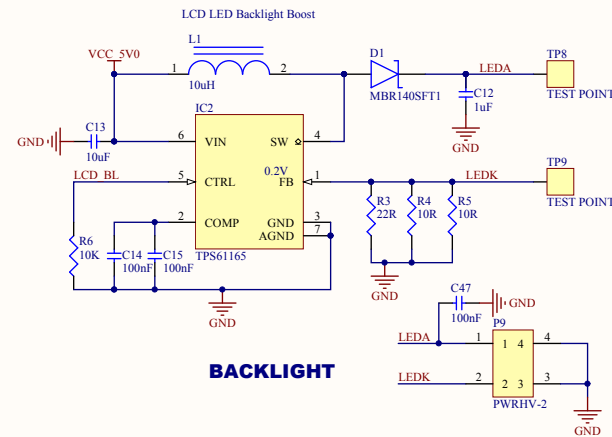
TOUCHSCREEN - RESISTIVE



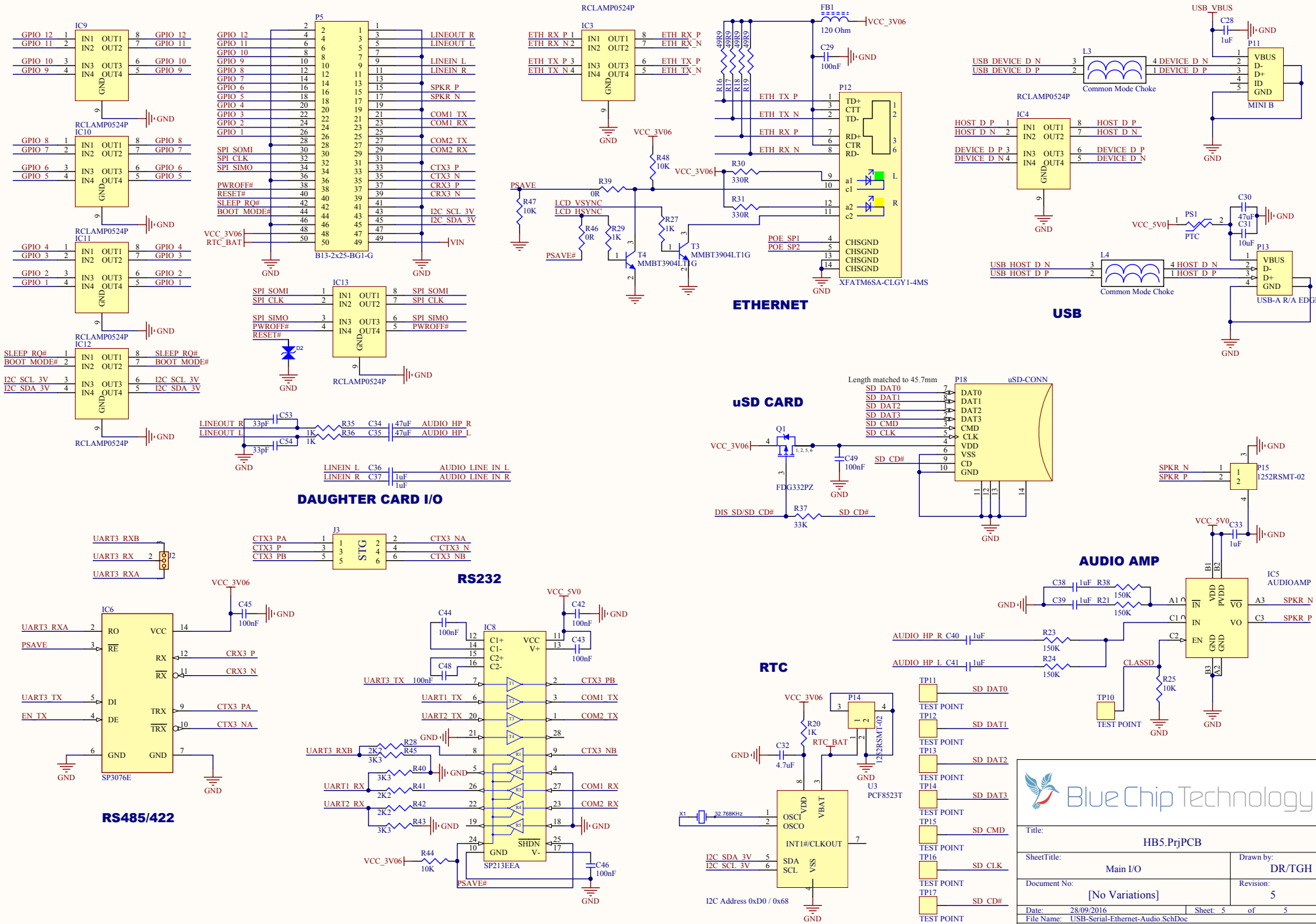
LCD



BACKLIGHT



Title: HB5.PrjPCB	
SheetTitle: LCD & TouchScreen	Drawn by: DR/TGH
Document No: [No Variations]	Revision: 4
Date: 28/09/2016	Sheet: 4 of 5
File Name: LCD_SchDoc	
Copyright Blue Chip Technology Ltd 2015	



Title: **HB5j.PrjPCB**

SheetTitle: **Main I/O** Drawn by: **DR/TGH**

Document No: **[No Variations]** Revision: **5**

Date: 28/09/2016 Sheet: 5 of 5

File Name: USB-Serial-Ethernet-Audio SchDoc

Copyright Blue Chip Technology Ltd 2015