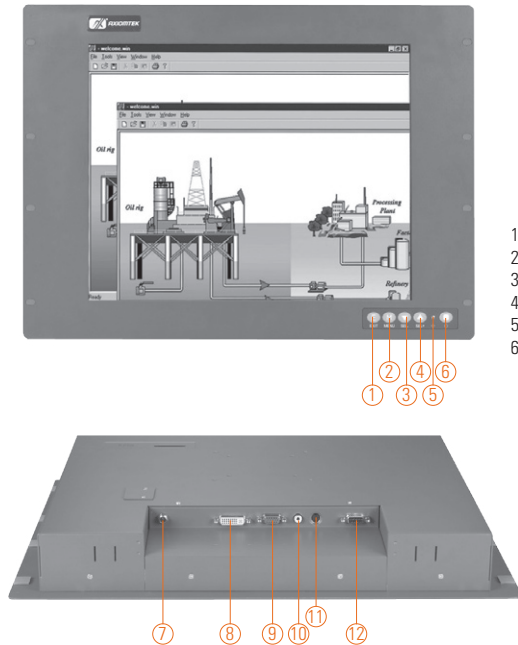


# P6173

17" TFT Industrial LCD Monitor



1. Exit
2. Menu
3. SEL-
4. SEL+
5. Power LED
6. Power switch

- |                         |                  |
|-------------------------|------------------|
| 7. DC power input       | 10. Video (CVBS) |
| 8. DVI (Only for DVI-D) | 11. S-video      |
| 9. VGA                  | 12. T/S port     |

## Features

- 17" TFT 380 nits high brightness SXGA LCD
- NEMA 4/12 (IP65)- compliant panel mounting flat panel monitor
- Supports panel mount, wall mount, rack mount and VESA arm
- Resistive touchscreen
- Supports full range screw-type (locked) AC-in or 24V DC-in (option)
- Supports multi-signal inputs: VGA, S-video, Video and DVI



▲ Side view

## Introduction

The P6173 is an slim industrial LCD monitor, which adopts 17-inch 380 nits high brightness SXGA LCD display and supports multi-signal interfaces including DVI, VGA, S-video, Video. Featuring NEMA 4/12 & IP65 compliant front bezel, screw-type adaptor plug design, and 12/24V DC-In means it is fit for all kinds of industrial environments. Moreover, the P6173 supports panel, wall, rack or VESA FPMPMI (Video Electronics Standards Association Flat Panel Monitor Physical Mounting Interface) mounting. With the compact mechanism design, users can enjoy free from space constraint. It is especially suitable for POI/POS, excellent HMI and all kinds of heavy-duty industrial fields.

## Specifications

|                                 |  |                  |
|---------------------------------|--|------------------|
| Front Bezel                     | NEMA 4/12 (IP65)-compliant, metal front bezel  |                  |
| Mounting                        | Supports panel mount, wall mount, rack mount or VESA arm FPMPMI mounting (video electronics standards association Flat Panel monitor physical mounting interface)        |                  |
| LCD Panel                       | Display  | Type 17" TFT LCD |
|                                 | Max. Resolution  | 1280 x 1024      |
|                                 | Max. Colors  | 16.7M            |
|                                 | Active Area (mm)   | 337.92 x 270.33  |
|                                 | Pixel Pitch (mm)   | 0.264 x 0.264    |
|                                 | Response Time  | 5ms              |
|                                 | Backlight  | 4 CCFL           |
|                                 | Backlight MTBF   | 50,000 hrs       |
|                                 | Viewing Angle (H/V)  | 160°/160°        |
|                                 | Contrast Ratio   | 800 (TYP.)       |
| Brightness (cd/m <sup>2</sup> ) | 380 nits   |                  |
| Display Control                 | OSD (on screen display)  |                  |
| Display Mode                    | VGA 640 x 350 (70Hz), VGA 640 x 480 (60/72/75Hz),<br>VGA 720 x 400 (70Hz), SVGA 800 x 600 (60/72/75Hz),<br>XGA 1024 x 768 (60/72/75Hz),<br>SXGA 1280 x 1024 (60/72/75Hz) |                  |

## Specifications

|                    |  |  |
|--------------------|--|--|
| Input Signal       | VGA Video: R.G.B Analog 0.7v Peak-to-Peak<br>DVI (Only for DVI-D)<br>Touchscreen: Serial RS-232 or USB<br>Video (optional)<br>S-Video (optional)                           |  |
| I/O Connectors     | 1 x RS-232 or USB for touchscreen version<br>1 x VGA input<br>1 x RCA for video (optional)<br>1 x S-Video for video (optional)<br>1 x DVI<br>1 x Screw-type DC power input |  |
| Power Adapter      | Screw-type external AC / DC power adapter  |  |
| Touchscreen        | Thickness  | Resistive: 3.2 mm  |
|                    | Light Transmission   | Resistive: 80%   |
|                    | Power Consumption  | Resistive: +5V @ 100mA   |
|                    | Touch Life   | Resistive: 35million touches<br>Controller interface: RS-232 D-type<br>9-pin male connector or USB |
| Dimensions         | 482 mm (19") (W) x 60 mm (2.36") (D)<br>x 360 mm (14.2") (H)   |  |
| Packing Dimensions | 610 mm (24.02") (W) x 260 mm (10.24") (D) x 590 mm (23.23") (H)  |  |
| Weight (net/gross) | 5.5 kg (12.12 lb)/12.7 kg (28 lb)  |  |
| Environment        | Operating temperature: 0° ~ +55°C (+32°F ~ +131°F)<br>Storage temperature: -20°C ~ +60°C (-4°F ~ +140°F)<br>Relative humidity: 20%~90%@40°C, non-condensing                |  |
| Certification      | CE   |  |

## Ordering Information

| P6173       |                     |                           |
|-------------|---------------------|---------------------------|
| AC Power    | Panel Mount Monitor |                           |
|             | Resistive (RS-232)  | P6173PR-AC-RS-V3-RC-US-EU |
|             | Resistive (USB)     | P6173PR-AC-U-V3-RC-US-EU  |
|             | Glass               | P6173PG-AC-V3-RC-US-EU    |
| 24VDC Power | Panel Mount Monitor |                           |
|             | Resistive (RS-232)  | P6173PR-24VDC-RS-V3-RC    |
|             | Resistive (USB)     | P6173PR-24VDC-U-V3-RC     |
|             | Glass               | P6173PG-24VDC-V3-RC       |

| P6173L (Input: VGA and DVI only) |                     |                            |
|----------------------------------|---------------------|----------------------------|
| AC Power                         | Panel Mount Monitor |                            |
|                                  | Resistive (RS-232)  | P6173LPR-AC-RS-V3-RC-US-EU |
|                                  | Resistive (USB)     | P6173LPR-AC-U-V3-RC-US-EU  |
|                                  | Glass               | P6173LPG-AC-V3-RC-US-EU    |
| 24VDC Power                      | Panel Mount Monitor |                            |
|                                  | Resistive (RS-232)  | P6173LPR-24V-DC-RS-V3-RC   |
|                                  | Resistive (USB)     | P6173LPR-24V-DC-RS-V3-RC   |
|                                  | Glass               | P6173LPG-24V-DC-V3-RC      |

\* Specification and certifications are based on options and may vary.

## Optional Accessories

|                               |                            |
|-------------------------------|----------------------------|
| ARM-VM-101                    | VESA ARM (clamp type)      |
| ARM-VM-105                    | VESA ARM (wall mount type) |
| Wall mounting & desktop stand |                            |



▲ Stand kit



▲ Various mounting ways Panel/Wall/VESA



▲ Screw-type power input



▲ Phoenix-type power input

## Dimensions

