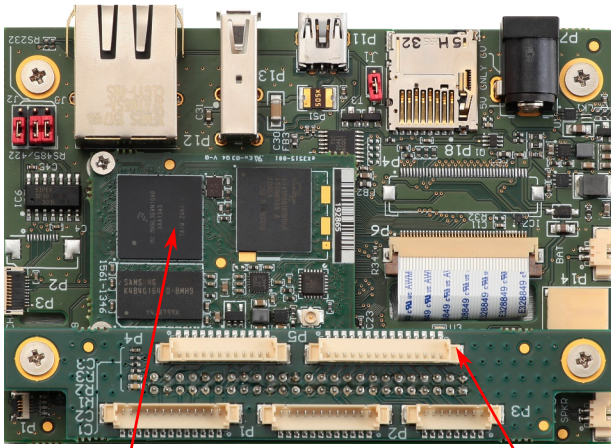


HB5

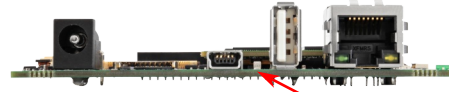


Low Cost Host Board for the TM series of Processors

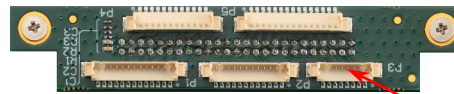


TM1 module with 1GHz ARM Cortex A9 processor, memory, Flash, Wifi and Bluetooth

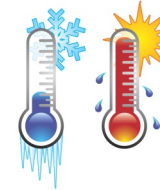
Connector PCB - options include Picoblade, Screw Terminal or custom to use your connectors and circuitry



Purpose designed Processor Module and host board enables a truly low profile package



Our standard connector PCB is provided. We also offer a screw terminal alternative. You can also have a custom PCB with your circuitry onboard too.



Standard & Extended Temperature Ranges Available

Look what's available

- * LCD support for 4.3" and 7.1" TFT LCDs
- * Projected Capacitive & Resistive Touch Supported
- * 1GHz Freescale iMX6 ARM Cortex A9 CPU (TM1)
- * 256MB/512MB/1GB Memory (TM1)
- * eMMC Flash (4GB or 8GB) or uSD Socket (TM1)
- * USB Host Port - High, Full and Low Speeds (TM1)
- * USB Device Port - High and Low Speeds (TM1)
- * 10/100 Mbit LAN - Auto MDIX (TM1)
- * Wifi - 802.11a/b/g/n, 2.4GHz & 5GHz (TM1)
- * Wifi Station and Access Point support (TM1)
- * Bluetooth 4.1, BLE 4.0 (TM1)
- * 12 GPIO signals plus I2C & SPI
- * Two RS232 Ports
- * One RS232/422/485 Port
- * Class D Audio Amplifier
- * Stereo line input & outputs
- * 5 volt DC power input - jack or screw terminal
- * Low power operation
- * Standard or Extended Temperature versions
- * Android 4.4 Operating System (TM1)
- * Linux 14.04 LTS Operating System (TM1)
- * Windows EC2013 - please contact us (TM1)
- * UK Design, Manufacture & Technical Support
- * Custom Designs available - contact us for details



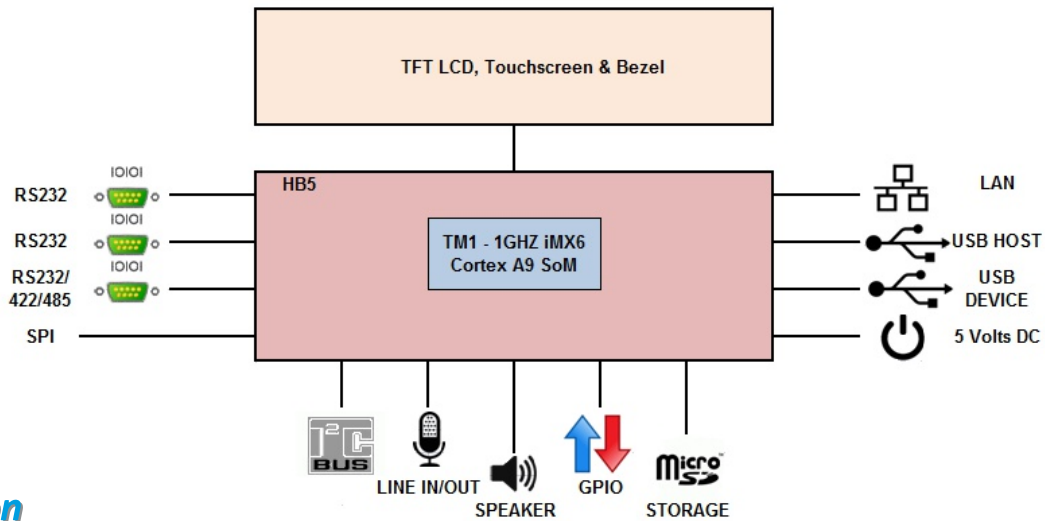
FM33069



Tel: 44 (0) 1829 772000

Email: sales@bluechiptechnology.co.uk

Overview



Specification

Processor	Freescle iMX6 Sololite	Serial Interfaces	
Speed	1GHz	SPI	1
Cores	1	I2C	1
Memory	256MB/ 512MB/ 1GB	RS232	2 (Rx/Tx)
Storage	eMMC 4GB/ 8GB or MicroSD 8GB	RS232/422/485	1
LCD	4.3" TFT Resolution 480 x 272 or 7.1" TFT Resolution 800 x 480	Audio	
Touch Screen	Resistive / Projected Capacitance	Line	Stereo Inputs & Outputs
Ethernet	10/100 Mbit	Speaker Output	Mono 0.5 watt
Wi-Fi (Optional)		Power Consumption	
Frequencies	2.4GHz & 5GHz	Input	5 volts DC @ 0.51 amps maximum (2.5 watts)
Standard	802.11 a/b/g/n	Suspend to RAM	5 volts DC @ >0.01amps (50milliwatts)
Support	Access Point & Station	Desktop	5 volts DC @ 0.19 amps (~1 watt)
Bluetooth (Optional)		Operating Temperature	
Classic 4.1, BLE 4.0		Standard	0°C to 50°C
		Extended	-20°C to 60°C
		EMC	CE
		Operating Systems	Android 4.4, Linux Ubuntu 14.04 LTS Windows EC2013 - Please contact us.
		Dimensions	87mm x 128mm x 28mm (HxWxD)

Ordering Information

HB5-P[x]-CB[x]

Example: HB5-P0-CB2

P[x] Power Jack: 0, Screw Terminal: 1

CB[x] No Connector Board: 0, Pico Blade Connector Board: 1, Screw Terminal Connector board: 2