

# Beta 712H

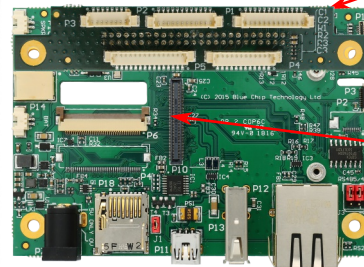


## Low Cost Touch 7" LCD with Bezel and Integrated ARM IoT Computer



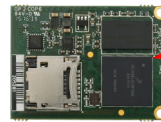
Stylish modern plastic bezel is supplied

7" LCD with Touch Screen supplied



Connector PCB - many options are available including Picoblade, Screw Terminal, CAN or we can customise for you

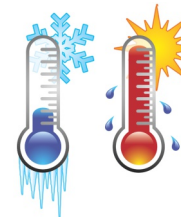
TM1 module is fitted here onto 100 pin connector and secured by fittings



TM1 module with 1GHz ARM Cortex A9 processor, up to 1GB memory, Flash, Wifi and Bluetooth



Purpose designed Processor Module and host board enables a truly low profile package



Standard & Extended Temperature Ranges Available

### Look what's available

- \* 7" 800 x 480 LCD Module
- \* Projected Capacitance Touch Screen
- \* 1GHz Freescale iMX6 ARM Cortex A9 CPU
- \* 256MB/512MB/1GB Memory
- \* eMMC Flash (4GB or 8GB) or uSD Socket
- \* USB Host Port - High, Full and Low Speeds
- \* USB Device Port - High and Low Speeds
- \* 10/100 Mbit LAN - Auto MDIX
- \* Wifi - 802.11a/b/g/n, 2.4GHz & 5GHz
- \* Wifi Station and Access Point support
- \* Bluetooth 4.1, BLE 4.0
- \* 12 GPIO signals plus I2C & SPI
- \* Two RS232 Ports
- \* One RS232/422/485 Port
- \* Class D Audio Amplifier
- \* Stereo line input & outputs
- \* 5 volt DC power input - jack or screw terminal
- \* Low power operation
- \* Standard or Extended Temperature versions
- \* Android 4.4 Operating System
- \* Linux 14.04 LTS Operating System
- \* Contact us for the Windows release date
- \* UK Design, Manufacture & Technical Support
- \* Custom Designs available - contact us for details



FM33069



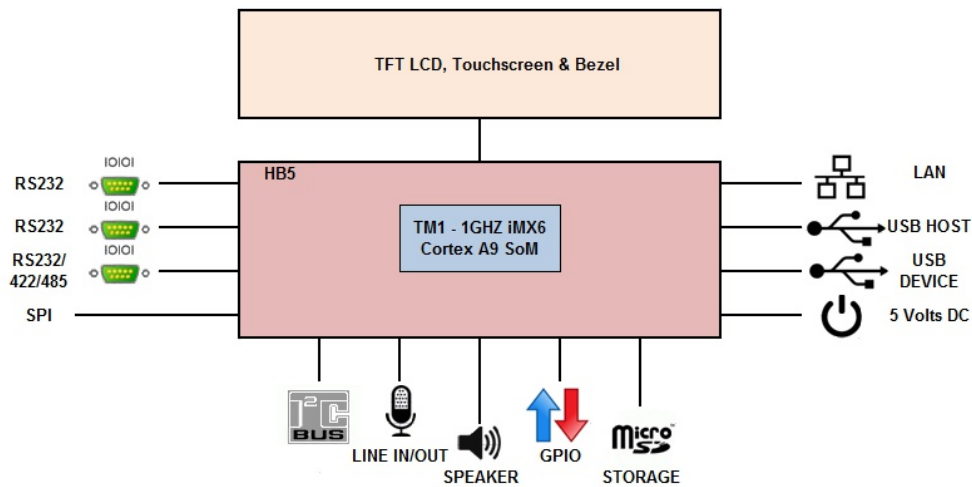
Tel: 44 (0) 1829 772000

Email: [sales@bluechiptechnology.co.uk](mailto:sales@bluechiptechnology.co.uk)

# Beta 712H



## Overview



## Specification

<b>Processor</b>	Freescale iMX6 Sololite	<b>Serial Interfaces</b>	
<b>Speed</b>	1GHz	<b>SPI</b>	1
<b>Cores</b>	1	<b>I2C</b>	1
<b>Memory</b>	256MB/ 512MB/ 1GB	<b>RS232</b>	2 (Rx/Tx)
<b>Storage</b>	eMMC 8GB or MicroSD 8GB	<b>RS232/422/485</b>	1
<b>LCD</b>	7" TFT Resolution 800 x 480	<b>Audio</b>	
<b>Contrast</b>	400 typical	<b>Line</b>	Stereo Inputs & Outputs
<b>Brightness</b>	380 cd/m <sup>2</sup> typical	<b>Speaker Output</b>	Mono 0.5 watt
<b>Viewing Angle</b>	60, 70, 70, 70 typical	<b>Power Consumption</b>	
<b>Touch Screen</b>	Resistive / Projected Capacitance	<b>Input</b>	5 volts DC @ 0.84 amps max (4.2 watts)
<b>Ethernet</b>	10/100 Mbit	<b>Suspend to RAM</b>	5 volts DC @ 0.01 amps (~50milliWatts)
<b>Wi-Fi (Optional)</b>		<b>At Desktop</b>	5 volts DC @ 0.39 amp (~2 watts)
<b>Frequencies</b>	2.4GHz & 5GHz	<b>Operating Temperature</b>	
<b>Standard</b>	802.11 a/b/g/n	<b>Standard</b>	0°C to 50°C
<b>Support</b>	Access Point & Station	<b>Extended</b>	-20°C to 60°C
<b>Bluetooth (Optional)</b>	Classic 4.1, BLE 4.0	<b>EMC</b>	CE
		<b>Operating Systems</b>	Android 4.4, Linux Ubuntu 14.04 LTS Windows EC2013 - Please contact sales
		<b>Dimensions</b>	124mm x 187mm x 31mm (HxWxD)

## Ordering Information

# BE712H-OC3-0S1-050-2

<b>LCD</b> 43 - 4.3" 71 - 7.1" 97 - 9.7"	<b>Hostboard</b> H - HB5 V - HB6 C - HB7 A - HB8	<b>Touch</b> R - Resistive C - Capacitive	<b>Temp</b> S 0 to 50 C E -20 to 60 C	<b>Power</b> 0 - Jack 1 - Screw	<b>System Batt</b> 0 - None 1 - Fitted
<b>Processor</b> 2 - TM1 3 - XE1	<b>Enclosure</b> O - Open C - Closed	<b>Memory</b> 0 - None 1 - 256MB 2 - 512MB 3 - 1GB	<b>Storage</b> 0 - MicroSD 8 - 8GB eMMC	<b>Con PCB</b> 0 - None 1 - Picoblade 2 - Screw 3 - CAN + Screw 4 - Pico + Switch 5 - Screw + Switch	<b>Sealing</b> 0 - None 1 - IP54 2 - IP65

Tel: 44 (0) 1829 772000

Email: [sales@bluechiptechnology.co.uk](mailto:sales@bluechiptechnology.co.uk)

Beta712H V1.1