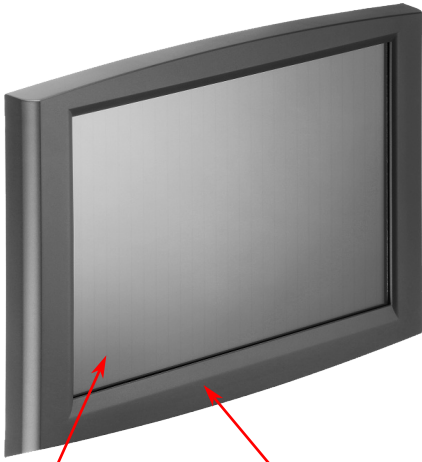


Beta 712C



7" Touch LCD, 1GHz Cortex A9, 3G, GPS, Wi-Fi, Bluetooth and CAN Module



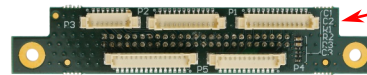
7" LCD and Touch Screen
Stylish modern plastic bezel is supplied. Please contact us for alternative designs.

Our Beta 712C Touch Screen Computer is the ideal platform for quickly creating your new touch screen based connected device. With its outstanding range of communications the Beta 712C is already certified to the latest Radio, EMC and Environmental regulations.

Reduce your costs and get to production faster. Just add your application software to your choice of operating system and go.

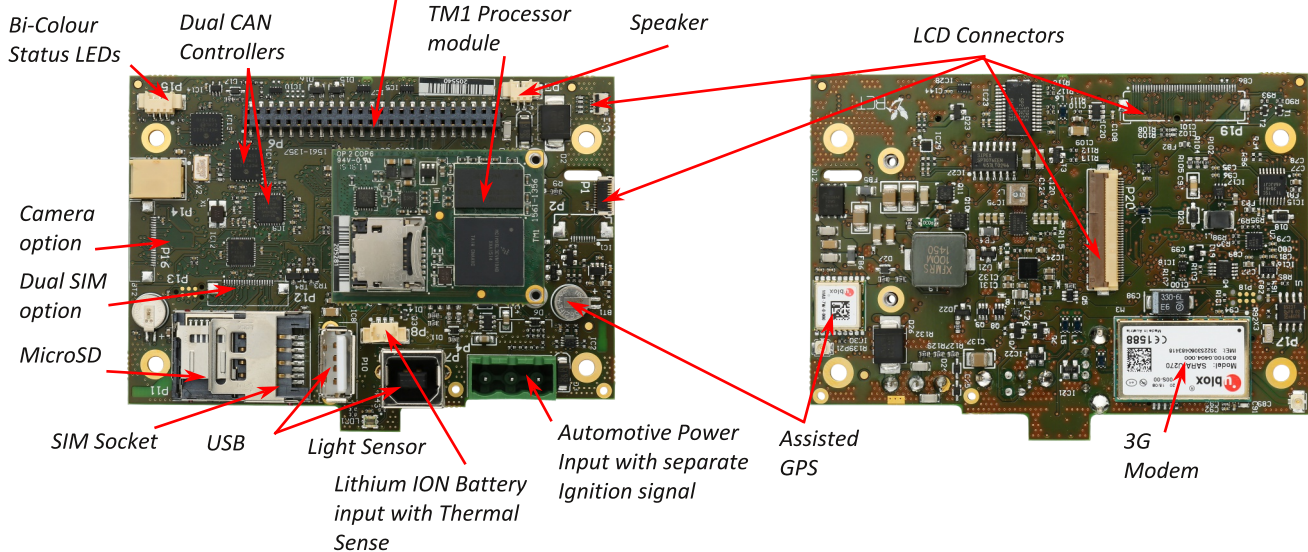
**Radio Equipment Directive?
CE Approved?
Thermally Certified?
Long Life?**

**SMART Antenna?
Off the Shelf?
Customisation Available
Made in the UK?**



Our standard Picoblade connector PCB is shown. Options include Picoblade, Screw Terminal or a custom PCB with your connectors & circuitry

Connector PCB fits here



Key Features

- * 7" 800 x 480 LCD Module
- * Projected Capacitance or Resistive Touch Screen
- * 1GHz Freescale iMX6 ARM Cortex A9 CPU
- * 256MB/512MB/1GB Memory
- * eMMC Flash (4GB or 8GB) or uSD Socket
- * Camera Interface option
- * Wifi 802.11a/b/g/n, Station & Access Point supported
- * Bluetooth 4.1, BLE 4.0
- * Dual CAN, Triple RS232/422/485 Serial Ports
- * Battery or Automotive 6 to 30 volt DC Power operation
- * Android, Linux, Microsoft Windows EC Supported
- * Custom Designs available - contact us



FM33069

Tel: 44 (0) 1829 772000

Email: sales@bluechiptechnology.co.uk

Beta 712C



Specification

Processor	Freescalé iMX6 Sololite	GPS	ublox MAX7W
Speed	1GHz		GPS/QZSS, GLONASS, Assisted Fix
Cores	1	SIM	Standard Size (optional Dual SIM)
Memory	256MB/ 512MB/ 1GB	Accelerometer	3 axis, 14/8 bit (MMA8451QR1)
Storage	eMMC 8GB or MicroSD 8GB	Camera	BT656 Interface
LCD	7" TFT	Light Sensor	16 bit (APDS-9301-020)
Resolution	800 x 480	Serial Interfaces	
Contrast	400 typical	CAN	2
Brightness	380 cd/m ² typical	I2C	1
Viewing Angle	60, 70, 70, 70 typical	RS232	2 (Rx/Tx)
Touch Screen	Resistive / Projected Capacitance	RS232/422/485	1
Wi-Fi (Optional)		SPI	1
Frequencies	2.4GHz & 5GHz	GPIO	5 channels
Standard	802.11 a/b/g/n	Status LEDs	2 - bicolour
Support	Access Point & Station	Audio	
Bluetooth (Optional)		Inputs	Mic & Line
	Classic 4.1, BLE 4.0	Outputs	Stereo Line
UMTS/HSPA	5.76Mb/s uplink, 7.2Mb/s downlink	Speaker Output	Mono 0.5 watt
GSM	850/1900 & 900/1800MHz	Connector PCB	Picoblade, Screw Terminal Custom versions available
GPRS	Class 12, CS1-CS4, up to 85.6kb/s	Input Power	
EDGE	Class 12, MCS1-9, up to 236.8kb/s	Voltage	Automotive 6 to 30 Volts DC with protection
CSD	GSM max 9.6 kb/s, UMTS max 64 kb/s	Battery	Lithium-ION 3.7 volts DC 3400mAH (18650)
SMS	MT/MO PDU / Text mode	Ignition	Dedicated control signal
Voice	Echo cancellation and noise reduction	Operating Temperature	
European	ublox SARA-U270	Standard	0°C to 50°C
Bands	900/2100 MHz	Extended	-20°C to 60°C
GPRS/EDGE	D1	Battery Limitations	Charging 0 to 45°C, Discharging -20 to 60°C
America	ublox SARA-U260	EMC	CE, Radio Emissions Directive (RED)
Bands	850/1900 MHz	Operating Systems	Android 4.4, Linux Ubuntu 14.04 LTS Windows EC2013 - Please contact sales
GPRS/EDGE	D2	Dimensions	124mm x 187mm x 35mm (HxWxD)

Ordering Information

BE712H-OC3-OS1-050-2

LCD 43 - 4.3" 71 - 7.1" 97 - 9.7"	Hostboard H - HB5 V - HB6 C - HB7 A - HB8	Touch R - Resistive C - Capacitive	Temp S 0 to 50 C E -20 to 60 C	Power 0 - Jack 1 - Screw	System Batt 0 - None 1 - Fitted
Processor 2 - TM1 3 - XE1	Enclosure O - Open C - Closed	Memory 0 - None 1 - 256MB 2 - 512MB 3 - 1GB	Storage 0 - MicroSD 8 - 8GB eMMC	Wifi/BT 0 - None 1 - Fitted	Con PCB 0 - None 1 - Picoblade 2 - Screw 3 - CAN + Screw 4 - Pico + Switch 5 - Screw + Switch
					Sealing 0 - None 1 - IP54 2 - IP65

Tel: 44 (0) 1829 772000

Email: sales@bluechiptechnology.co.uk

Beta712C V1.1