

Beta 432H

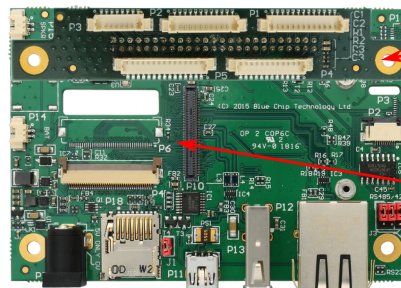


Low Cost Touch 4.3" LCD with Bezel and Integrated ARM IoT Computer



Stylish modern plastic bezel is supplied

4.3" LCD with Touch Screen

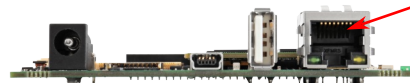


Connector PCB - many options are available including Picoblade, Screw Terminal, CAN or we can customise for you

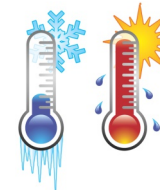
TM1 module is fitted here onto 100 pin connector and secured by fittings



TM1 module with 1GHz ARM Cortex A9 processor, 1GB memory, Flash, Wifi and Bluetooth



Purpose designed Processor Module and host board enables a truly low profile package



Standard & Extended Temperature Ranges Available

Look what's available

- * 4.3" 480 x 272 LCD Module
- * Projected Capacitance & Resistive Touch Screens
- * 1GHz Freescale iMX6 ARM Cortex A9 CPU
- * 256MB/512MB/1GB Memory
- * eMMC Flash (4GB or 8GB) or uSD Socket
- * USB Host Port - High, Full and Low Speeds
- * USB Device Port - High and Low Speeds
- * 10/100 Mbit LAN - Auto MDIX
- * Wifi - 802.11a/b/g/n, 2.4GHz & 5GHz
- * Wifi Station and Access Point support
- * Bluetooth 4.1, BLE 4.0
- * 12 GPIO signals plus I2C & SPI
- * Two RS232 Ports
- * One RS232/422/485 Port
- * Class D Audio Amplifier
- * Stereo line input & outputs
- * 5 volt DC power input - jack or screw terminal
- * Low power operation
- * Standard or Extended Temperature versions
- * Android 4.4 Operating System
- * Linux 14.04 LTS Operating System
- * Windows EC2013 - please contact us
- * UK Design, Manufacture & Technical Support
- * Custom Designs available - contact us for details



FM33069

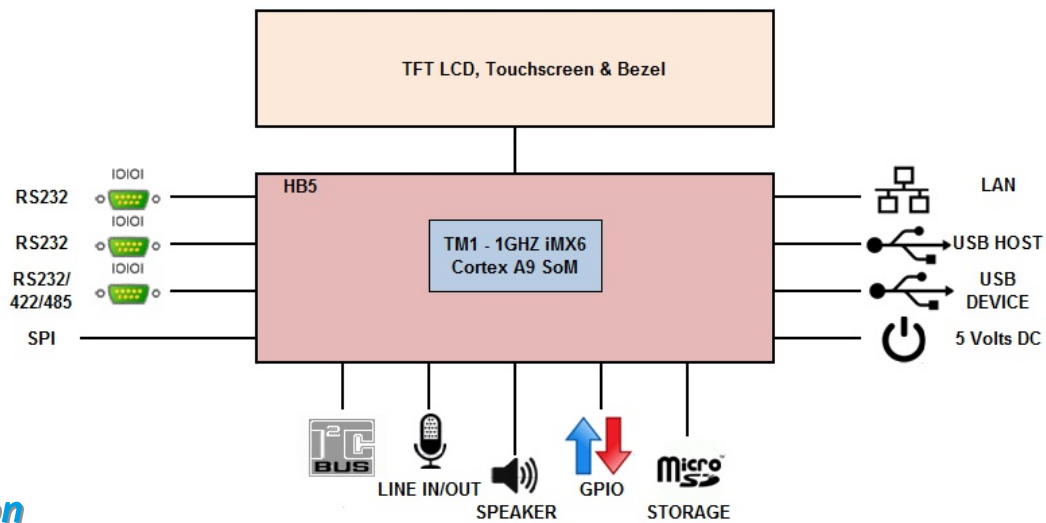


Tel: 44 (0) 1829 772000

Email: sales@bluechiptechnology.co.uk

Beta 432H

Overview



Specification

Processor	Freescale iMX6 Sololite	Serial Interfaces	
Speed	1GHz	SPI	1
Cores	1	I2C	1
Memory	256MB/ 512MB/ 1GB	RS232	2 (Rx/Tx)
Storage	eMMC 8GB or MicroSD 8GB	RS232/422/485	1
LCD	4.3" TFT Resolution 480 x272	Audio	
Contrast	500 typical	Line	Stereo Inputs & Outputs
Brightness	350 cd/m ² typical	Speaker Output	Mono 0.5 watt
Viewing Angle	70, 50, 70, 70 typical	Power Consumption	
Touch Screen	Resistive / Projected Capacitance	Input	5 volts DC @ 0.51 amps maximum (2.5 watts)
Ethernet	10/100 Mbit	Suspend to RAM	5 volts DC @ >0.01amps (50milliwatts)
Wi-Fi (Optional)		Desktop	5 volts DC @ 0.19 amps (~1 watt)
Frequencies	2.4GHz & 5GHz	Operating Temperature	
Standard	802.11 a/b/g/n	Standard	0°C to 50°C
Support	Access Point & Station	Extended	-20°C to 60°C
Bluetooth (Optional)		EMC	CE
Classic 4.1, BLE 4.0		Operating Systems	Android 4.4, Linux Ubuntu 14.04 LTS Windows EC2013 - Please contact us.
		Dimensions	87mm x 128mm x 28mm (HxWxD)

Ordering Information

BE712H-OC3-OS1-050-2

LCD 43 - 4.3" 71 - 7.1" 97 - 9.7"	Hostboard H - HB5 V - HB6 C - HB7 A - HB8	Touch R - Resistive C - Capacitive	Memory 0 - None 1 - 256MB 2 - 512MB 3 - 1GB	Temp S 0 to 50 C E -20 to 60 C	Power 0 - Jack 1 - Screw	System Batt 0 - None 1 - Fitted	Con PCB 0 - None 1 - Picoblade 2 - Screw 3 - CAN + Screw 4 - Pico + Switch 5 - Screw + Switch	Sealing 0 - None 1 - IP54 2 - IP65
	Processor 2 - TM1 3 - XE1	Enclosure O - Open C - Closed	Storage 0 - MicroSD 8 - 8GB eMMC	Wifi/BT 0 - None 1 - Fitted				